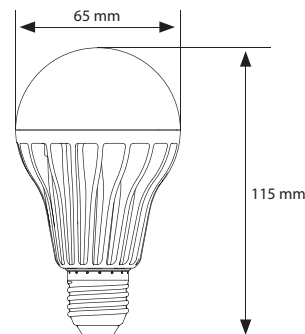


**RF-RGB-LED-550**

- The colored lamp with RF module enables you to create an atmosphere for reading, watching a movie, hosting a party with friends, etc.
- The lamp has an implemented wireless unit, which receives commands from system units of iNELS RF Control (link) and sends a signal for visualization of the current status ON/OFF, brightness.
- Luminous flux up to 550 Lm, with power 9 W and life of 30 000 hours.
- RGB lamp function:
  - colored light scenes
  - option of setting brightness in a range of 0-100%
  - circus mode, used for automatic blending of colors

**RF-White-LED-675**

- The white wireless lamp with RF module is used for everyday illumination.
- The lamp has an implemented wireless unit, which receives commands from system units of iNELS RF Control (link) and sends a signal for visualization of the current status ON/OFF, brightness.
- Luminous flux up to 675 Lm, with power 10 W and life of 30 000 hours.
- White wireless lamp functions:
  - option of setting brightness in a range of 0-100%
  - setting color warm white / cold white.
- When switched off, the set level is stored in the memory, and when switched back on, it returns to the most recently set value.
- Assembly directly in your existing light with base E27.
- The power supply of the lamp is in the range 100-240 V AC.
- Range up to 20 m (in open space); if the signal is insufficient between the controller and unit, use the signal repeater RFRP-20.
- Communication frequency with bidirectional protocol iNELS RF Control.

**Dimension**

Technical parameters	RF-RGB-LED-550	RF-White-LED-675
Supply voltage:	100-240V AC 50/60 Hz	
Maximum power :	9 W	10 W
Power factor:	<0.6	
<b>Output</b>		
Lighting power:	6 W	8 W
Luminous flux:	550Lm	675 Lm
Color temperature:	RGB	2600, 5000
Brightness regulation:	0-100%	
Durability:	30000 hours	
<b>Controlling</b>		
RF command from the transmitter:	866 MHz, 868 MHz, 916 MHz, 922 MHz	
Free space range:	up to 20 m	
<b>Other data</b>		
Operating temperature:	0 to + 50 °C	
Storage temperature:	-30 to + 70 °C	
Connection:	socket E27	
Operating position:	any	
Dimension:	65 x 115 mm	
Weight:	150 g	